

# Data Sheet



Helping Engineer the Technology of Power

**ICE Components, Inc.**

Tel 678-560-9172 Fax 678-560-9304

cust.serv@icecomp.com

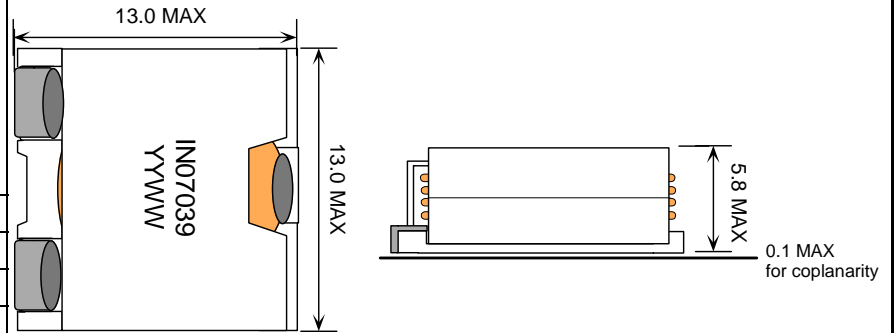
www.icecomponents.com

1165 Allgood Rd., Ste. #20, Marietta, GA 30062

## General Information

<b>Customer</b>	
<b>Part Number</b>	IN07039
<b>Revision</b>	0
<b>Description</b>	Inductor
<b>Date</b>	AUG-07-2009
<b>Reference</b>	--
<b>Doc Control #</b>	--
<b>Issue(For ICE use only)</b>	--

## Mechanical Drawing



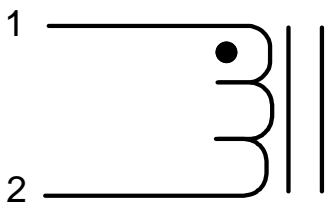
unit:mm

## Specification

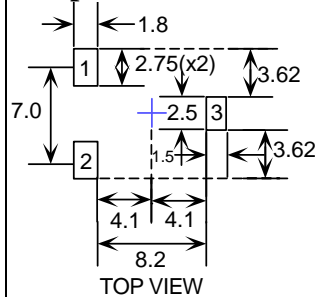
## Sample Test Data

Item	Pins	Spec	Test Condition	Sample Test Data
Inductance	1 - 2	3.2 uH +/- 15%	100 kHz, 1Vrms, series (0Adc)	
	1 - 2	2.56 uH min	100 kHz, 1Vrms, series (12.8Adc)	
DCR	1 - 2	6.2 mOhm +/- 10%	+25 deg C	
Isat at 25degC	1 - 2	15 Adc max		
Isat at -40degC	1 - 2	15 Adc max		
Isat +125degC	1 - 2	11 Adc max		

## Schematic

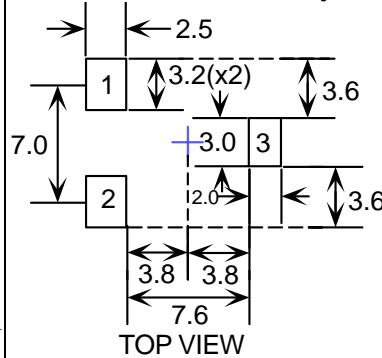


## Footprint



unit:mm

## Recommended PCB Layout



unit:mm

## Remark

1. Operating temperature range: -40degC to +130degC.
2. Inductance vs. Current Curve as attached.
3. This is RoHS compliant product.
4. Isat is the current at which the inductance drops by 15%.

Sample approval is required before release to production. Sample specifications take precedence over customer specifications.

Customer Signature

Rev.	Description	PRD	CHK	APP	Date	NTFY
0	Initial release	Emily	Gary	L. L. Chou	2009/8/7	2009/8/7

# P/N: IN07039

## Inductance vs. Current

