

Data Sheet



Helping Engineer the Technology of Power

ICE Components, Inc.

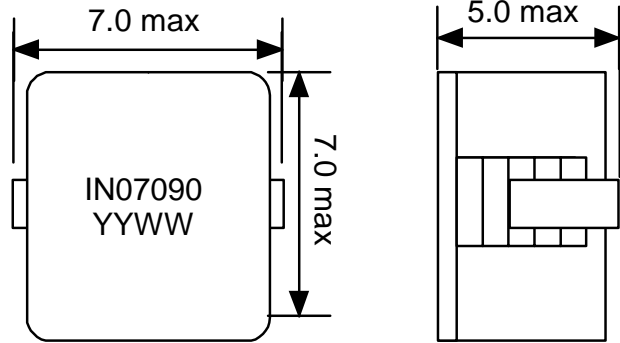
Tel 678-560-9172 Fax 678-560-9304

cust.serv@icecomp.com

www.icecomponents.com

1165 Allgood Rd., Ste. #20, Marietta, GA 30062

Mechanical Drawing



unit:mm

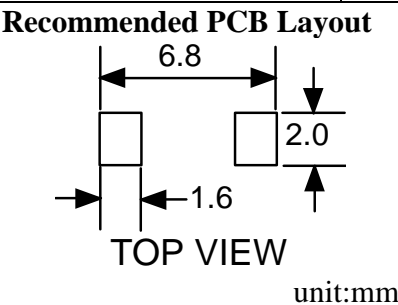
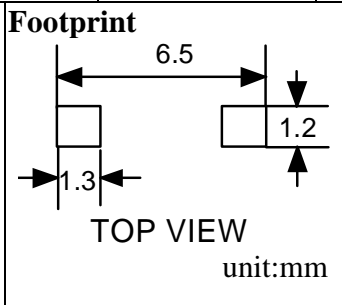
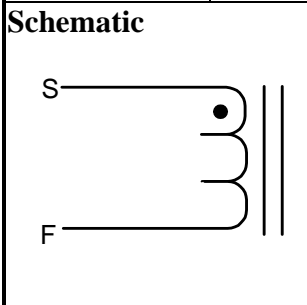
General Information

Customer	
Part Number	IN07090
Revision	0
Description	Inductor
Date	AUG-07-2009
Reference	--
Doc Control #	--
Issue(For ICE use only)	--

Specification

Sample Test Data

Item	Pins	Spec	Test Condition	
Inductance	S – F	6.0 uH +/- 20%	100 kHz, 0.1Vrms, series (0Adc)	
	S – F	4.2 uH typ.	100 kHz, 0.1Vrms, series (5.3Adc)	
DCR	S – F	22 mOhm max	25 deg C	
Isat	S – F	5.3 Adc max		



- ### Remarks
1. This is RoHS compliant product.
 2. Isat is the current at which the inductance drops by 30% typ.
 3. Operating Temperature: -40degC to +130degC

Sample approval is required before release to production. Sample specifications take precedence over customer specifications.

Rev.	Description	PRD	CHK	APP	Date	NTFY
0	Initial release	Emily	Gary	L. L. Chou	2009/8/7	2009/8/7

Customer Signature _____