

Data Sheet



Helping Engineer the Technology of Power

ICE Components, Inc.

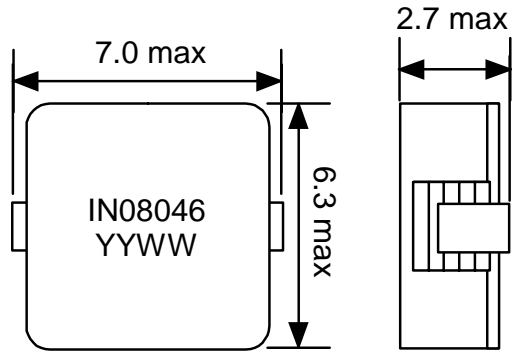
Tel 678-560-9172 Fax 678-560-9304

cust.serv@icecomp.com

www.icecomponents.com

1165 Allgood Rd., Ste. #20, Marietta, GA 30062

Mechanical Drawing



0.1 max for coplanarity

unit:mm

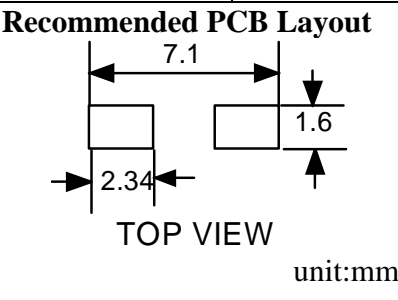
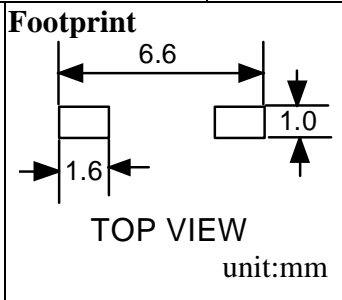
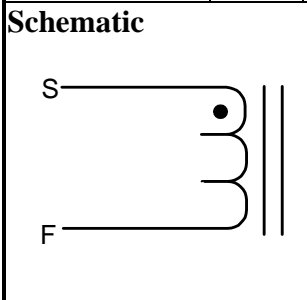
General Information

Customer	
Part Number	IN08046
Revision	0
Description	Inductor
Date	AUG-07-2009
Reference	--
Doc Control #	--
Issue(For ICE use only)	--

Specification

Sample Test Data

Item	Pins	Spec	Test Condition	Sample Test Data
Inductance	S - F	1.0 uH +/- 20%	100 kHz, 1Vrms, series (0Adc)	
	S - F	0.72 uH min	100 kHz, 1Vrms, series (8.5Adc)	
DCR	S - F	16 mOhms +/- 15%	25 deg C	



- Remarks**
1. This is RoHS compliant product.
 2. The max operating temperature is 130degC (ambient + temperature rise).
 3. Isat is the current at which the inductance drops by 15%.
 4. Inductance vs. Current Curve as attached.

Sample approval is required before release to production. Sample specifications take precedence over customer specifications.

Rev.	Description	PRD	CHK	APP	Date	NTFY
0	Initial release	Emily	Gary	L. L. Chou	2009/8/7	2009/8/7

Customer Signature

P/N:IN08046

Inductance VS Current

