

Data Sheet



Helping Engineer the Technology of Power

ICE Components, Inc.

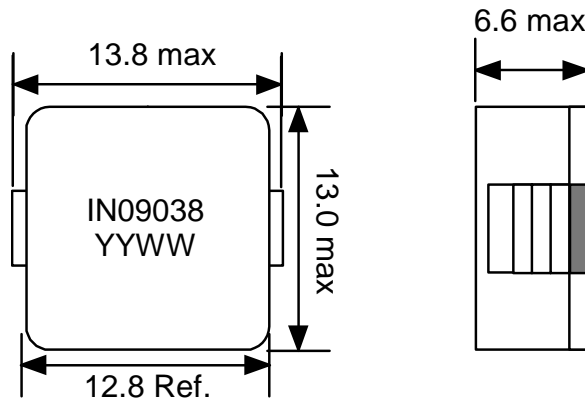
Tel 678-560-9172 Fax 678-560-9304

cust.serv@icecomp.com

www.icecomponents.com

1165 Allgood Rd., Ste. #20, Marietta, GA 30062

Mechanical Drawing



0.1 max for co-planarity

unit:mm

General Information

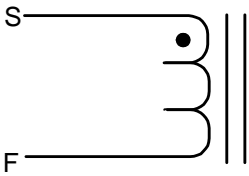
Customer	
Part Number	IN09038
Revision	0
Description	Inductor
Date	APR-19-2010
Reference	--
Doc Control #	--
Issue (For ICE use only)	--

Specification

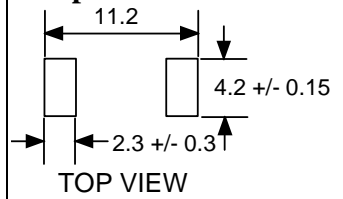
Sample Test Data

Item	Pins	Spec	Test Condition	Sample Test Data
Inductance	S - F	15 uH +/- 20%	100 kHz, 0.1Vrms, series	
	S - F	8.4 uH min	100 kHz, 0.1Vrms, series (8.5 Adc)	
DCR	S - F	22 mOhms +/- 10%	+25 deg C	
Isat	S - F	8.5 Adc max		

Schematic

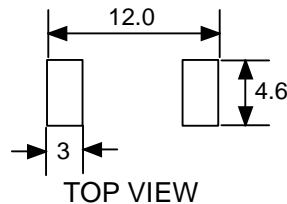


Footprint



unit:mm

Recommended PCB Layout



unit:mm

Remarks

1. This is RoHS compliant product.
2. Isat is the current at which the inductance drops by 30% typ.
3. The max operating temperature is 130degC (ambient + temperature rise)
4. Inductance vs. Current Curve as attached.

Sample approval is required before release to production. Sample specifications take precedence over customer specifications.

Customer Signature

Rev.	Description	PRD	CHK	APP	Date	NTFY
0	Initial release	Emily	Gary	L. L. Chou	2010/4/19	2010/4/19

Inductance VS Current

